

4

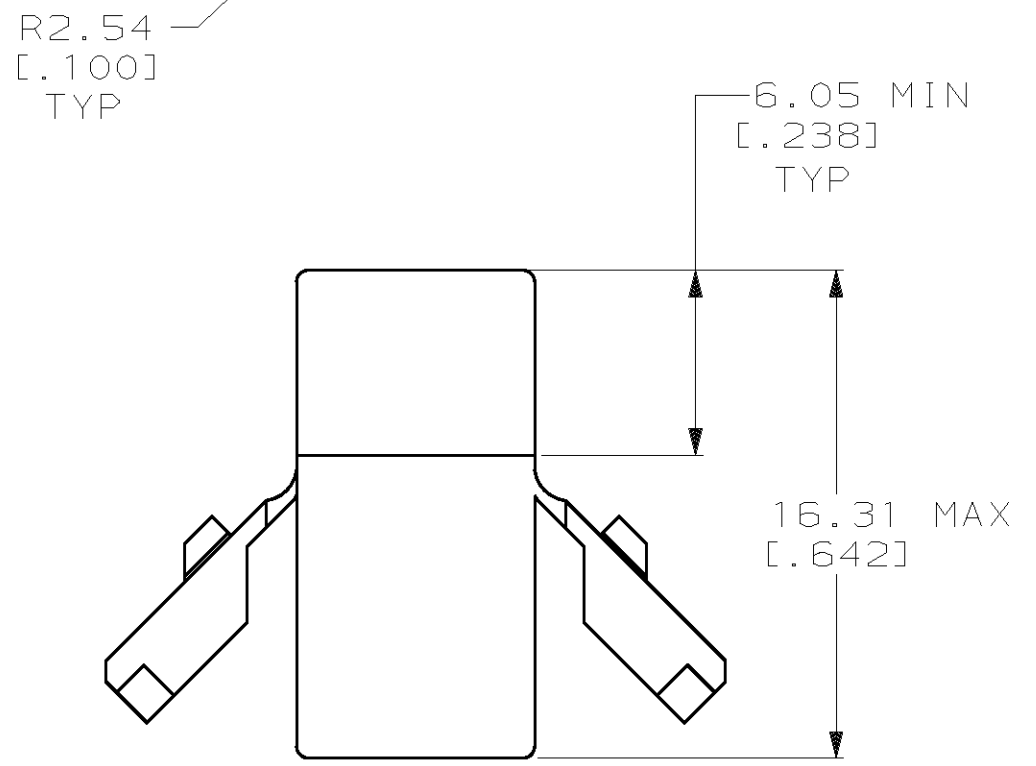
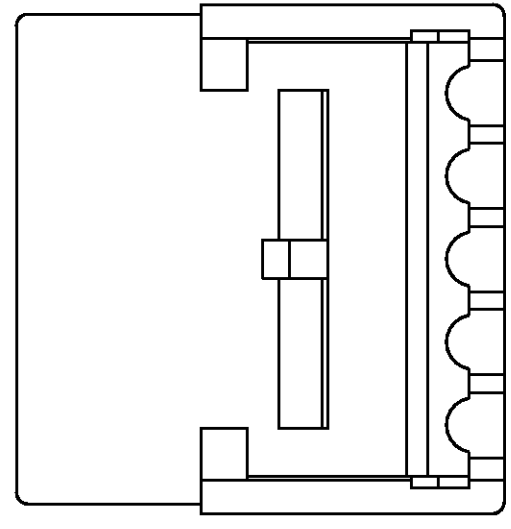
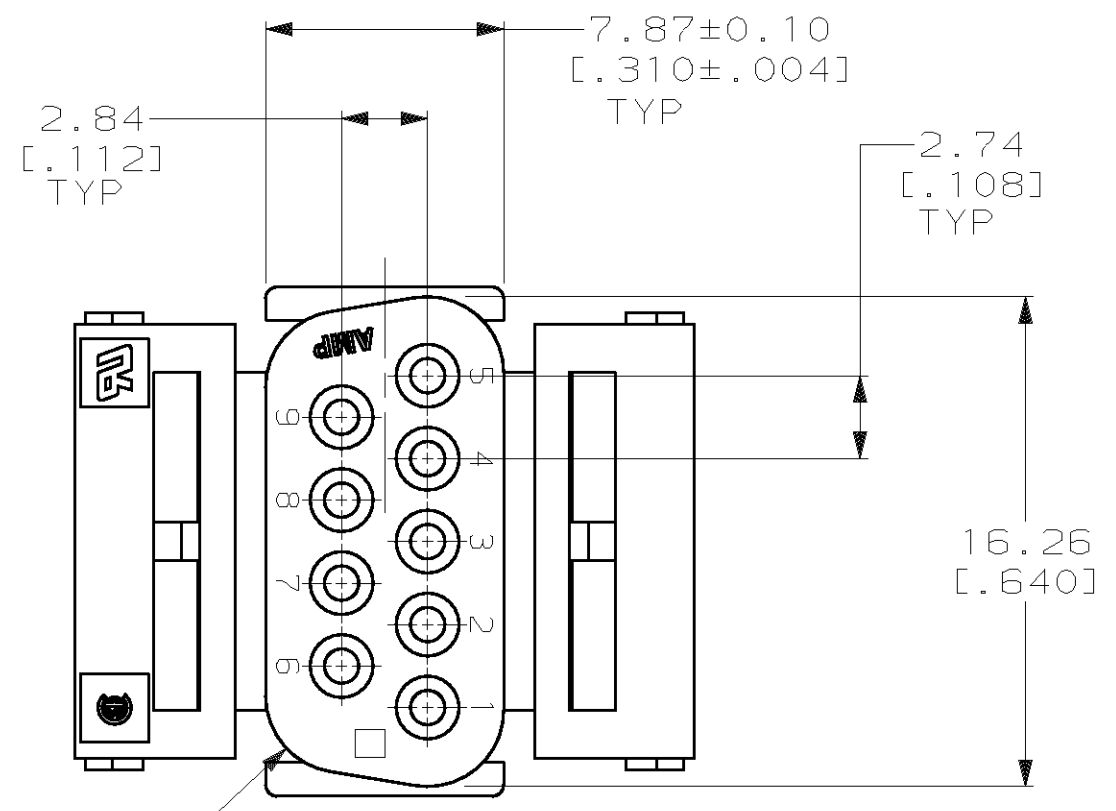
3

2

1

THIS DRAWING IS UNPUBLISHED. RELEASED FOR PUBLICATION ,19 .
 © COPYRIGHT 19 BY AMP INCORPORATED. ALL RIGHTS RESERVED.

LOC	DIST	REVISIONS			
P	LTR	DESCRIPTION	DATE	DWN	APVD
BD	48	B	REDRAWN W/O CHANGE PER EC 0640-324-98	02 MAR 98	-



207752-3
 PART NUMBER

THIS DRAWING IS A CONTROLLED DOCUMENT.		DWN C. OBERMAN 02 MAR 98	AMP AMP Incorporated Harrisburg, PA 17105-3608												
DIMENSIONS: mm [INCHES]		CHK R. STONE 30 APR 98													
TOLERANCES UNLESS OTHERWISE SPECIFIED:		APVD R. TAYLOR 30 APR 98	NAME												
<table border="0"> <tr><td>0 PLC</td><td>±-</td></tr> <tr><td>1 PLC</td><td>±-</td></tr> <tr><td>2 PLC</td><td>±0.13 [.005]</td></tr> <tr><td>3 PLC</td><td>±-</td></tr> <tr><td>4 PLC</td><td>±-</td></tr> <tr><td>ANGLES</td><td>±-</td></tr> </table>		0 PLC	±-	1 PLC	±-	2 PLC	±0.13 [.005]	3 PLC	±-	4 PLC	±-	ANGLES	±-	PRODUCT SPEC	RECEPTACLE HOUSING, 9 POSITION, AMPLIMITE™
0 PLC	±-														
1 PLC	±-														
2 PLC	±0.13 [.005]														
3 PLC	±-														
4 PLC	±-														
ANGLES	±-														
MATERIAL THERMOPLASTIC, BLACK		FINISH -	APPLICATION SPEC												
		WEIGHT -	RESTRICTED TO												
		CUSTOMER DRAWING	SIZE A3												
		SCALE 4:1	CAGE CODE 00779												
		SHEET 1 OF 1	DRAWING NO C- 207752												
		REV B													